

**Properties**

ÖKO-TEX Standard 100 class II

**composition**

- rubber-based hotmelt adhesive, pressure sensitive

**colour**

- amber colour

**humidity**

- fair resistance to humidity

**plasticisers resistance**

- not suitable for articles containing plasticisers

**U.V. resistance**

- poor resistance to U.V. - and sunlight

**Application**

- application at room temperature (20°C +/-5°C)

- adh. backed tape and substrate should be at room temperature while bonding

- to be pressed together firmly

- when continuous peel- shearforce is applied, the glue can have a tendency to start creeping on certain surfaces

**Bonding**

- max. adhesion after 48 hours at room temperature

- the adhesive is not intended for removal and/or re-application

**initial tack**

- high initial tack

**Surfaces**

- good to excellent adhesion to most substrates - for ex.: most metals, wood, glass, ceramics, paper, cardboard, various hard plastics, foams ...

- must be dry, free of oil, dirt, grease, dust, loose particles, monomeric plasticisers, silicone, paint or coating which is peeling off, ...

- should not be uneven, brittle, soft or unstable

**Storage & shelf life**

- in a dry, dark, dust-free and well ventilated room

- storing at a constant temperature around +20°C (+/-5 °C)

- if stored correctly: 36 months shelf life

**Cleaning instructions**

washing



bleaching



ironing



dry-  
cleaning

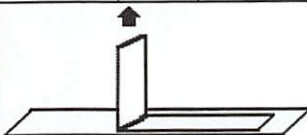



tumble  
dryer



**Adhesive properties**

- internal lab ref.: 348864
- tested in a standard temperate atmosphere according to the EN20139: a temperature of 20°C(+/-2°C) and a RH of 65%(+/-2%)

	<p><i>FINAT 02</i>                  peel adh. 90°                  (after 24h)</p>  <p>tested on a stainless steel plate</p>	<p><i>FINAT 09</i>                  loop tack measurement</p>  <p>tested on a stainless steel plate</p>
<p><b>A-glue</b>                  pick-up: +/-200gr./m<sup>2</sup></p>	<p>min.                   10N/cm</p>	<p>min.                   3,5N/cm<sup>2</sup></p>
<p>results of glue on an economy tape or a tape with a lower weight can be lower than above mentioned values</p>		

**Temp. Resistance**

- min. : -10°C
- max. : +85°C
- the specified ambient temperature at which the adhesive still shows good holding strength, strongly depends on the surface, humidity and load applied

**Removing adh. residuals**

- with acetone, white spirit, mineral oil, parafin wax or with an ecological biodegradable cleaner with a basis of natural solvents

**Important:** - please assure that the substrate is compatible with the above mentioned products

**Tests by user & guarantees**

The information above only serves as a general guideline.  
 We advise any user to determine the suitability of the intended application through tests performed by himself.

All information, technical advice, recommendations & descriptive material on this product are based upon tests which are generally reliable, although we cannot fully guarantee the accuracy of these tests. The buyer, who is a professional user, will be bound to carry out all tests himself, in order to verify whether the goods are suited and can be used safely for the intended purpose. The only obligation of the seller may consist in replacing the goods of which the imperfection has been proven, insofar as the seller can be held liable for the imperfection under the present conditions. The buyer will protect and hold harmless the seller against any claim whatsoever which could be made by the private enduser on the account of his product liability. In the same way, the buyer will safeguard the seller for each claim made by third parties, exceeding the limitation of liability as stipulated herewith. In addition, we serve ourselves the right to subject the products to technical changes without prior notice. Please make sure that you have the latest version of the technical data sheet.

VELCRO Belgium NV  
 Industrielaan 16  
 9800 Deinze - BELGIUM  
 Tel: +32 (0)9 386 12 18  
 Fax: +32 (0)9 386 89 76  
[www.velcro.be](http://www.velcro.be)



**VELCRO**<sup>®</sup>  
 BRAND

**ORIGINAL  
 THINKING**<sup>™</sup>

**PRODUCT DESCRIPTION**



VELCRO® Brand ALFATEX® Hook is a strong and durable textile hook suitable for everyday industrial applications. It is a woven medium profile Polyamide hook tape, that can be opened thousands of times without losing its strength when paired with VELCRO® Brand ALFATEX® Loop.

VELCRO® Brand ALFATEX® Hook is designed for every day industrial applications such as footwear & apparel, signage, furnishing, military, orthopaedics and many more.




Available in multiple colours, widths and converted items and compatible with many application methods such as sewing, welding and VELCRO® Brand ALFATEX® adhesives.

**PRODUCT CONSTRUCTION**

Fastening system	VELCRO® Brand ALFATEX® Hook
Construction	Woven Fabric
Composition	Polyamide and Synthetic coating
Thickness	1.9 - 2.3 mm
Weight	325 g/m <sup>2</sup> ± 10%
Widths available + Variations*	16, 20, 25 ± 1 mm 30, 38, 50 ± 1.5 mm 100, 107, 150, 160 ± 5 mm
Colour available	Check VELCRO® Brand ALFATEX® colour chart

\* Other widths capabilities upon request

**PERFORMANCE CHARACTERISTICS\***

	Fastening system	VELCRO® Brand ALFATEX® Hook
	<b>Peel</b> EN-12242	Minimum: 1.3 N/cm Average: 2.3 N/cm Tested with VELCRO® Brand ALFATEX® Loop
	<b>Shear</b> EN-13780	Minimum: 8.0 N/cm <sup>2</sup> Average: 10.0 N/cm <sup>2</sup> Tested with VELCRO® Brand ALFATEX® Loop
	<b>Cycle Life</b> EN-1414	50% of the minimum performance 10,000 cycles Tested with VELCRO® Brand ALFATEX® Loop
	<b>Tensile Strength</b> EN-ISO 13934-1	Minimum: 200 N/cm Average: 320 N/cm

\* The average values are only for reference. Suitable performance for a specific intended application should be evaluated by the user.

**PRODUCT COMBINATIONS**

VELCRO® Brand ALFATEX® Hook has been designed to be used with VELCRO® Brand ALFATEX® Loop and the VELCRO® Brand ALFATEX® adhesives range.

**SPECIAL CHARACTERISTICS**

**Fastening system**

VELCRO® Brand ALFATEX® Hook



**Shrinkage**  
EN-ISO-6330/EN 12243

Maximum 3.0% after 1 wash at 60°C



**Colour Tolerance**  
dE (CMC)

$\Delta E \leq 2.0$



**OEKO-TEX®**  
**STANDARD 100 Class I**  
*(Exclusive fluor colours)*



**ADDITIONAL PERFORMANCE CHARACTERISTICS**



**Outdoor use**

Since the product is made with Polyamide, which has a known tendency to degrade in UV light, VELCRO® Brand ALFATEX® Hook is not recommended for direct, prolonged exposure to UV light.



**Resistance to solvents**

The polyamide in this fastening system is resistant to cleaning with some solvents and to accidental exposure to common solvents, but any such exposure must not be prolonged (except for strong acids, which hydrolyse it).

Its resistance to fluids used in transport, such as gasoline, motor oil or transmission fluids, has not been tested. We recommend testing the product for its specific application.



**Fire resistance**

VELCRO® Brand ALFATEX® Hook does not have flame retardant properties, so their use in applications that require limited flame propagation is not recommended.



**Water/Moisture resistance**

The polyamide in this fastening system degrades its mechanical properties when exposed to water/high humidity (>80% RH) for long periods of time. These properties are typically recovered when the product dries.



**Sterilisation**

These products have not been tested for physical sterilisation (autoclave, steam, gamma rays, etc.) or chemical sterilisation (ethylene oxide, hydrogen peroxide, etc.).

**Colour fastness**

Colour fastness to dry-cleaning (ISO 105 D-01): Min. 4  
Colour fastness to rubbing (ISO 105 X-12): Min. 4  
Colour fastness to water (ISO 105 E-01): Min. 4  
Colour fastness to sea water (ISO 105 E-02): Min. 4  
Colour fastness to perspiration (ISO 105 E-04): Min. 4  
Colour fastness to artificial light (ISO 105-B-02): Min. 5 (not valid for neon (fluor) colours)  
Colour fastness to washing (ISO 105-C06): Min. 4  
Colour fastness to ironing (ISO 105-X11): Min. 4

**Biocompatibility**

VELCRO® Brand ALFATEX® Hook has not been tested for biocompatibility.

**Electrostatic discharge**

VELCRO® Brand ALFATEX® Hook has not been tested for electrostatic discharge after opening and closing the fastener. These products must first be tested in applications where electrostatic discharge is a concern.

**Seam strength**

VELCRO® Brand ALFATEX® Hook can be applied to several substrates by sewing. A square stitch should be used when possible, but all common stitches also offer adequate strength. The choice of thread will depend on the application and substrate.

**SUGGESTED APPLICATIONS**

Thanks to its high cycle, VELCRO® Brand ALFATEX® Hook can be used in a wide variety of applications such as:



**FOOTWEAR & APPAREL:** Shoes and ski boots, fashion and sport garments, workwear and military uniforms.

**INDUSTRIAL:**

Signage, panel fixation, furniture and curtains, cable management, sports equipment, tents, dock and warehouse seals.

**PACKAGING:**

Returnable packaging applications.

**MEDICAL:**

Orthopaedics braces.

**TRANSPORTATION:**

Aerospace and automotive interior fixation.

We recommend testing the product before use since the conditions specific to each application may cause differences in performance.

---

**REGULATORY ELEMENTS**

For product declarations of conformity on regulatory elements and additional information, contact [productcompliance\\_emea@velcro.com](mailto:productcompliance_emea@velcro.com).

---

**PRODUCT USE**

The information, statements and comments contained within this document are based on our experience and testing and are believed to be accurate. However, because there are many factors involved in specific applications that can impact end use and performance, product users should always test the product for its ability to meet the requirements of their specific use and method of application.

---

**LIMITED WARRANTY**

Velcro Companies<sup>(\*)</sup> warrants that all of its products will substantially comply with its written specifications at the time of shipment. ALL OTHER WARRANTIES, EXPRESS OR IMPLIED, INCLUDING, BUT NOT LIMITED TO, ANY WARRANTIES OF MERCHANTABILITY OR FITNESS FOR A PARTICULAR PURPOSE ARE EXPRESSLY DISCLAIMED. The product user is responsible for determining whether the product is fit and suitable for the intended application. If the product does not meet specifications as warranted, we will, at our option, repair or replace the product, or credit or refund the purchase price. The foregoing constitutes the user's sole remedy and our sole obligation hereunder.

(\*) Velcro Companies includes all the partner companies involved in the development, manufacture or sale of the products.

---

**LIMITATION OF LIABILITY**

To the maximum extent permitted under applicable law, our liability for any losses or damages relating to use of the product shall not exceed the purchase price for such product, regardless of whether such losses or damages are direct, indirect, special, incidental or consequential, and regardless of the legal theory asserted, including, but not limited to, warranty, contract, negligence or strict liability.

Given the diversity of our products, we recommend that our customers verify that the product satisfies the requirements of their application. The customer is responsible for the application and use of the product.

---

VELCRO® and other marks are registered. Used with permission. © 2021